

# PRODUCT BULLETIN

What's Going on at Suncor Stainless?



## Quick Attach™ Lifeline Kits

Rig a Lifeline in Minutes!

### 3 Easy Steps!



Boat owners are regularly faced with the decision of replacing their lifelines as a result of rust or cracked sheathing. Rather than send your measurements and details to a rigging service to have them made professionally, which can be costly, rig and install a lifeline in minutes using a Suncor Stainless Quick Attach™ Lifeline Kit. Stainless steel mechanical swage fittings offer seamless results using only simple hand tools. The Quick Attach™ turnbuckle with toggle provides a safe and secure alternative to open body fittings and allows for easy tensioning. Wire rope is sold separately and is available in a 1x19 construction or PVC coated 7x7 wire. Wire rope offers a long lifespan and an attractive finish while PVC coated wire is comfortable to grip and eliminates the possibility of items catching or snagging on the lines.

#### Quick Attach™ Lifeline Kit with Gate

Kit includes:

- 1 – Quick Attach™ Gate Eye
- 1 – Quick Attach™ Joined Gate Eye
- 2 – Quick Attach™ Closed Body Turnbuckles with Toggles
- 1 – Quick Attach™ Pelican Hook



#### Quick Attach™ Lifeline Kit without Gate

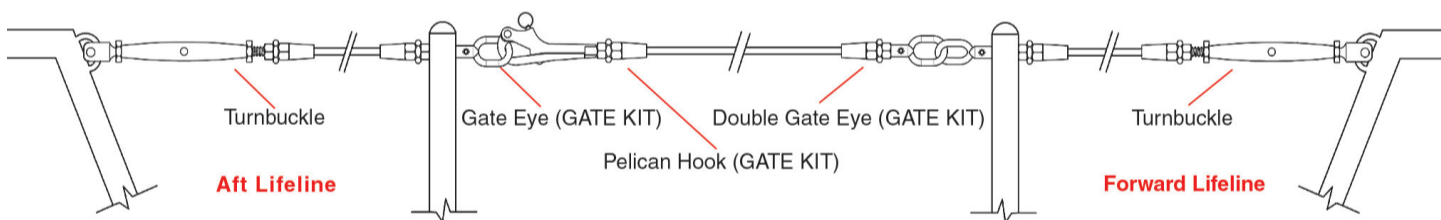
Kit includes:

- 1 – Quick Attach™ Toggle
- 1 – Quick Attach™ Closed Body Turnbuckle with Toggle



**BILT.®**

Download the BILT app or [click here](#) for a voice guided, interactive, 3D instructional video and cut your install time in half!



## micro star™

Explore our full line of Micro Star™ LED Light Systems



The Micro Star™ LED lighting series is a complete line of low voltage LED lighting options that can be utilized in a variety of ways, including indoor, outdoor and underwater applications. It is ideal for practical lighting solutions required in the marine, architectural and horticultural environments.

- **Micro Star™ LED Light Bar** is Ideal for mounting to the underside of handrails for surface illumination.
- **Tri Star Surface mount** is perfect for mounting to posts in railing applications.
- **Micro Star™ LED Light** is the smallest self-contained LED on the market and contains a push connector for easy connection.
- **Micro Star™ 5 Amp Transformers** are used with all Micro Star™ lighting products.
- **Micro Star™ Wiring Harness Assemblies** are a complete line of wiring configurations to meet the end user's needs. Push and screw connectors make connecting your Micro Star™ wiring easy with a click or twist motion while minimizing the use of crimping or soldering.
- **Micro Star™ Grommets** are designed to allow for mounting Micro Star™ LED Lights into material up to 1/4" thick.

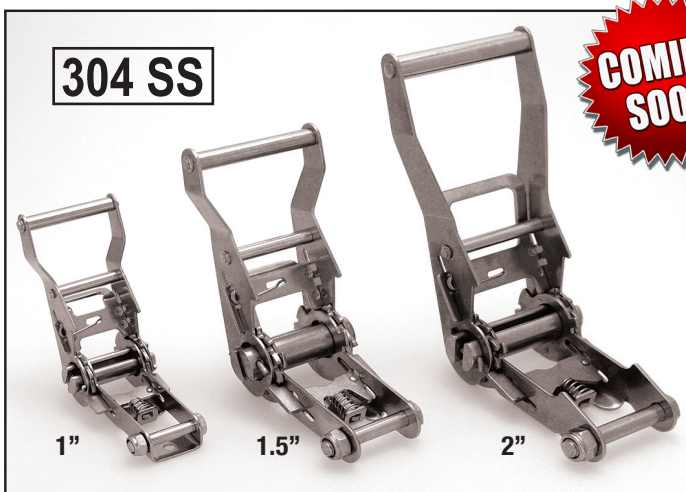


Suncor Stainless, Inc.  
70 Armstrong Road  
Plymouth, MA 02360

West Coast Warehousing:  
3900 Civic Center Drive  
North Las Vegas, NV 89030

Tel: 800-394-2222  
Email: [sales@suncorstainless.com](mailto:sales@suncorstainless.com)  
Website: [www.suncorstainless.com](http://www.suncorstainless.com)





# Wide Handle Ratchet Strap Series

High Quality and Heavy Duty

When hauling cargo or equipment, high quality heavy-duty ratchet assemblies are the only choice to ensure safety and proper load management. Suncor's Wide Handle Ratchet Strap series accommodates webbing widths of 1", 1.5" and 2". The Wide Handle series comes with two Suncor Wire Lever Harness Clips forged from grade 316 stainless steel that include long lasting torsion spring gates. The ratchets are made from grade 304 stainless steel and feature dual locks, a tight grip and easy adjustment. High quality nylon straps stand up to abrasion and provide optimal weather resistance.

Not all ratchet assemblies are created equal. If your cargo is important to you, be sure to secure it with a high quality, heavy-duty and long lasting ratchet assembly.



High quality nylon webbing combined with forged 316 stainless steel harness clips

## NEW PRODUCT SHOWCASE

### Latch Kits

#### Eye Slip Hook Latch Kit (Z0454-L Series)

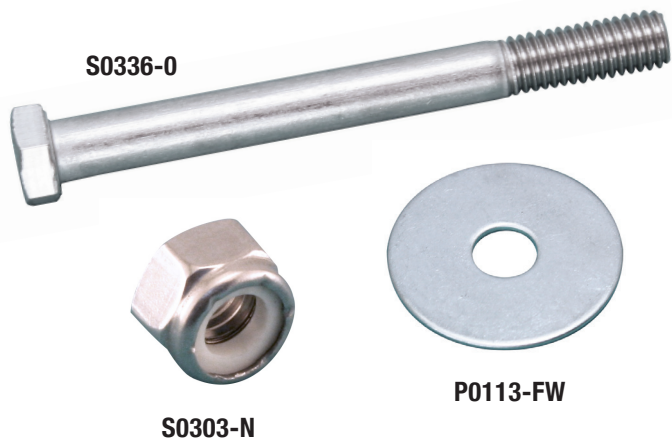
The Eye Slip Hook Latch Kit is made from grade 316 stainless steel and is compatible with the S0454 series eye slip hooks. The kit includes a replacement latch, spring and pin.

#### Swivel Eye Hook Latch Kit (Z0455-L Series)

The Swivel Eye Hook Latch Kit is made from grade 316 stainless steel and is compatible with the S0455 series swivel eye hooks. The kit includes a replacement latch, spring and pin.



### Fasteners



#### Hex HD Cap Screw (S0336-0 Series)

The Hex HD Cap Screw is made from grade 316 stainless steel for maximum corrosion resistance and durability. It is available in sizes ranging from 1/4" to 5/8".

#### Fender Washer (P0113-FW Series)

The Fender Washer is made from grade 316 stainless steel and is available in sizes ranging from 1/4" to 1/2".

#### Nylon Insert Lock Nut (S0303-N Series)

The Nylon Insert Lock Nut is available in 1/4" and 5/16" and features UNC threads. It is made from grade 316 stainless steel.

### Webbing Assemblies

#### Ratchet Assembly Endless (S0201-EN Series)

The Ratchet Assembly Endless is available in multiple lengths, widths and colors. It features a stainless steel ratchet buckle for easy ratcheting capabilities. There is no hardware on the end of this assembly so it can be looped around an object and threaded back through the ratchet buckle.

#### Cam Buckle Assembly with J Hooks (S0205-JJ Series)

The Cam Buckle Assembly is available in a 1" width and multiple lengths and colors. It features two stainless steel "J" hooks and a cam buckle for easy removal of the webbing.



### Snap Coat Hook

#### Snap Coat Hook (S3840-0003)

The Snap Coat Hook is made from grade 316 stainless steel and features a recessed channel for a complete opening of the latch. It uses two #6 fasteners and the clip can be used with other tie down components.



Suncor Stainless, Inc.  
70 Armstrong Road  
Plymouth, MA 02360

West Coast Warehousing:  
3900 Civic Center Drive  
North Las Vegas, NV 89030

Tel: 800-394-2222  
Email: sales@suncorstainless.com  
Website: www.suncorstainless.com

