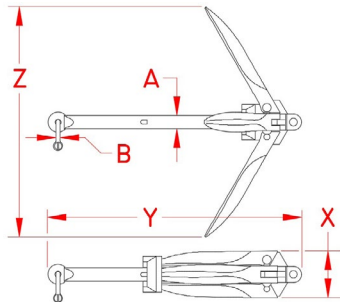


FOLDING GRAPNEL ANCHOR — BLUE CAST IRON GALVANIZED



Import



ITEM	SIZE (lb)	A	B	X (height)	Y (length)	Z (width)	WT (lb)	PACKAGING TYPE	EACH (qty)	INNER (qty)	CARTON (qty)	UPC
G8001-MKII-BLUE	1.5	0.60"	0.22"	2.10"	7.00"	6.50"	1.97	Box	1	1	1	791506092353
G8003-MKII-BLUE	3.5	0.72"	NA	3.10"	12.00"	10.50"	4.13	Box	1	1	1	791506092391

NOTE:

**ANCHORS INCLUDE ONE GALVANIZED SHACKLE (G8001 SERIES ONLY), ONE STAINLESS STEEL SPRING CLIP, 38' OF NYLON ROPE SPLICED TO IT AND ONE IN-LINE BUOY. GOOD FOR SMALL CRAFTS IN ROCKS AND MUDDY BOTTOMS.
ALL DIMENSIONS ARE NOMINAL (+/- 3%) AND ARE SUBJECT TO CHANGE WITHOUT NOTICE.**