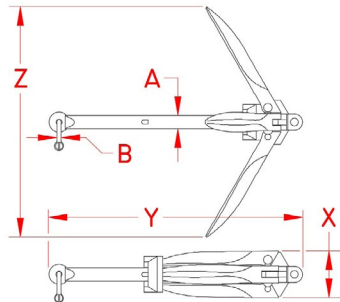


FOLDING GRAPNEL ANCHOR — GREEN CAST IRON GALVANIZED



Import



| ITEM | SIZE (lb) | A | B | X (height) | Y (length) | Z (width) | WT (lb) | PACKAGING TYPE | EACH (qty) | INNER (qty) | CARTON (qty) | UPC |
|------------------|-----------|-------|-------|------------|------------|-----------|---------|----------------|------------|-------------|--------------|--------------|
| G8001-MKII-GREEN | 1.5 | 0.60" | 0.22" | 2.10" | 7.00" | 6.50" | 1.97 | Box | 1 | 1 | 1 | 791506092360 |
| G8003-MKII-GREEN | 3.5 | 0.72" | NA | 3.10" | 12.00" | 10.50" | 4.13 | Box | 1 | 1 | 1 | 791506092407 |

NOTE:

**ANCHORS INCLUDE ONE GALVANIZED SHACKLE (G8001 SERIES ONLY), ONE STAINLESS STEEL SPRING CLIP, 38' OF NYLON ROPE SPLICED TO IT AND ONE IN-LINE BUOY. GOOD FOR SMALL CRAFTS IN ROCKS AND MUDDY BOTTOMS.
ALL DIMENSIONS ARE NOMINAL (+/- 3%) AND ARE SUBJECT TO CHANGE WITHOUT NOTICE.**