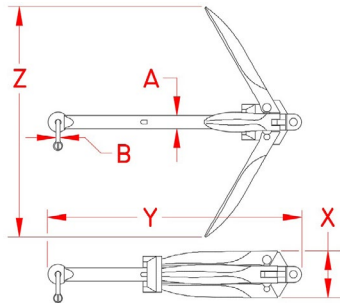


FOLDING GRAPNEL ANCHOR — RED CAST IRON GALVANIZED



Import



ITEM	SIZE (lb)	A	B	X (height)	Y (length)	Z (width)	WT (lb)	PACKAGING TYPE	EACH (qty)	INNER (qty)	CARTON (qty)	UPC
G8001-MKII-RED	1.5	0.60"	0.22"	2.10"	7.00"	6.50"	2.20	Box	1	1	1	791506092339
G8003-MKII-RED	3.5	0.72"	NA	3.10"	12.00"	10.50"	3.97	Box	1	1	1	791506092377

NOTE:

ANCHORS INCLUDE ONE GALVANIZED SHACKLE (G8001 SERIES ONLY), ONE STAINLESS STEEL SPRING CLIP, 38' OF NYLON ROPE SPLICED TO IT AND ONE IN-LINE BUOY. GOOD FOR SMALL CRAFTS IN ROCKS AND MUDDY BOTTOMS. ALL DIMENSIONS ARE NOMINAL (+/- 3%) AND ARE SUBJECT TO CHANGE WITHOUT NOTICE.